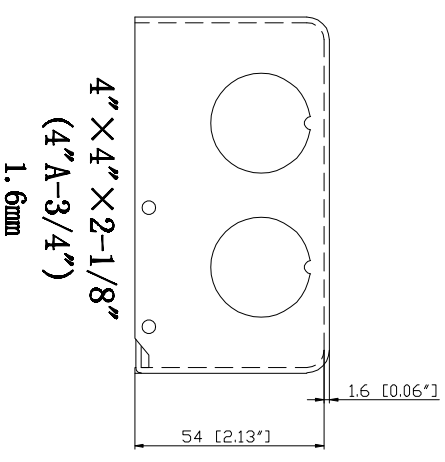
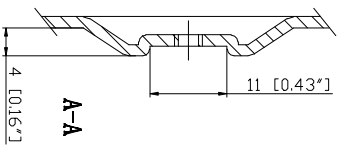
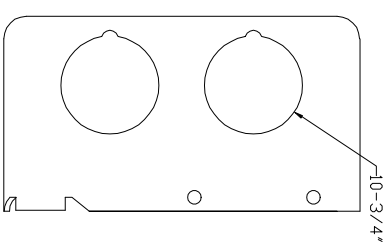
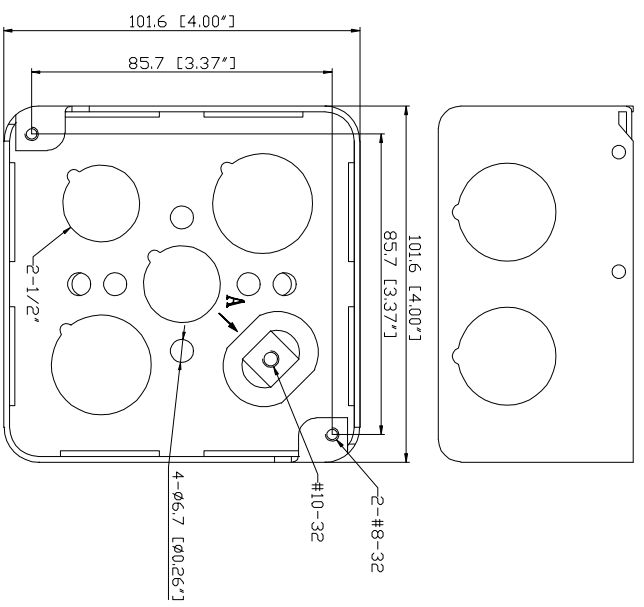
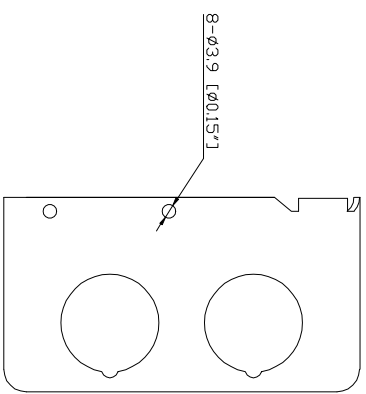
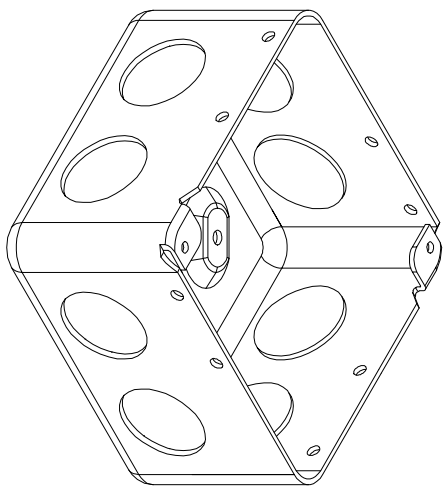


ELECTROLINE

Cat.# E-L 432



4" X 4" X 2-1/8"
 (4" A-3/4")
 1.6mm