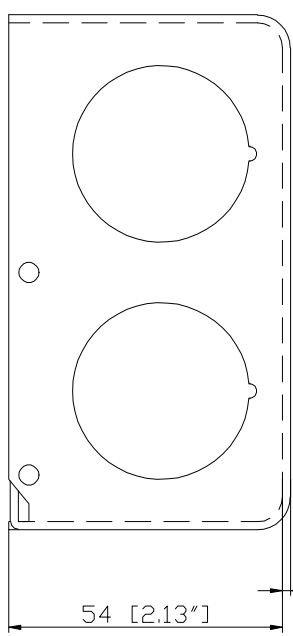
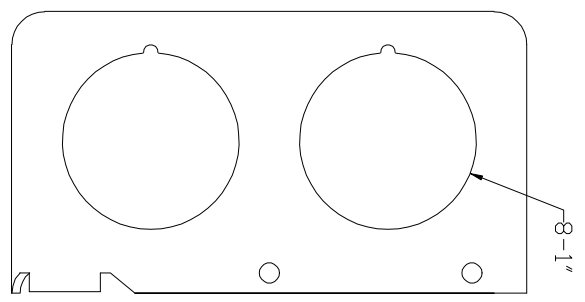
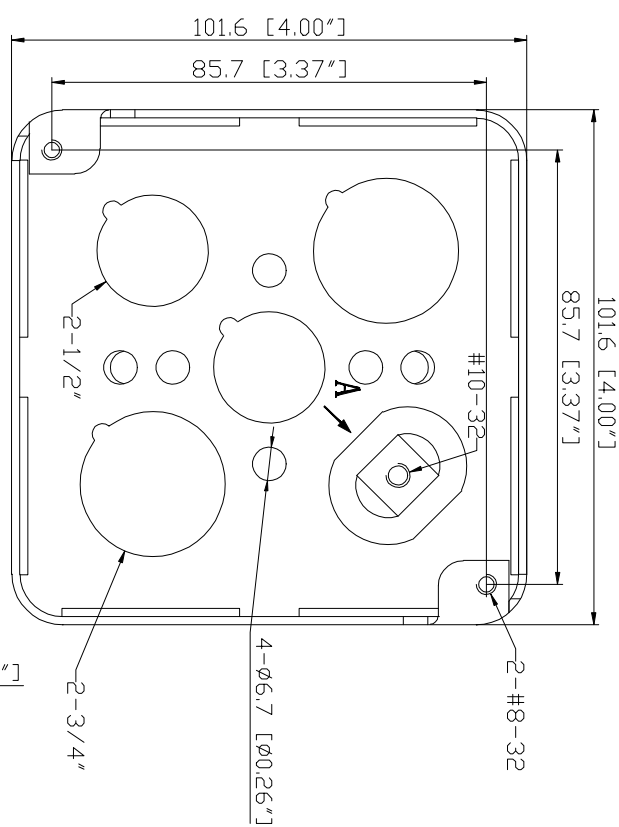
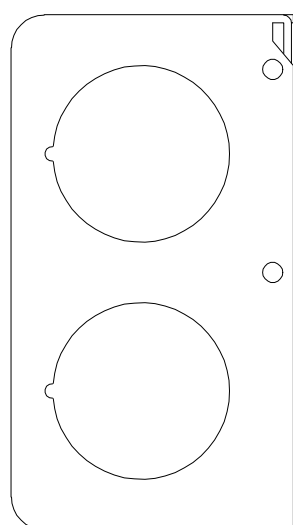
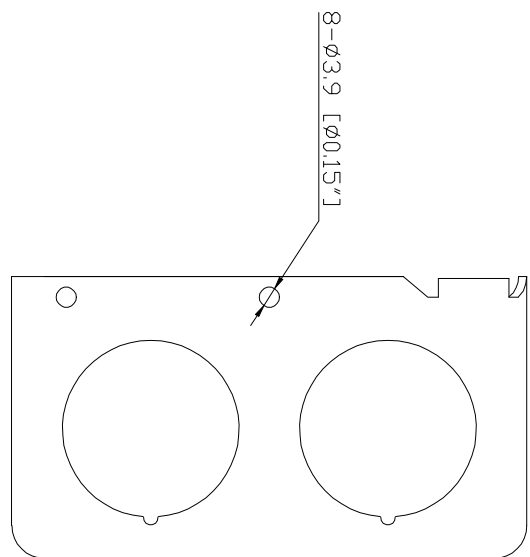
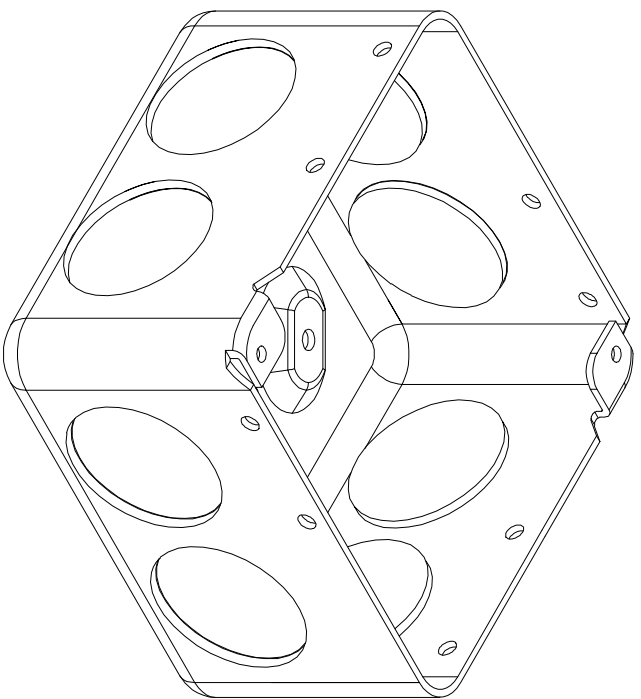


**ELECTROLINE**  
**Cat. # E-L-436**



**4" X 4" X 2-1/8"**  
**(4" A-1")**  
**1.6mm**

