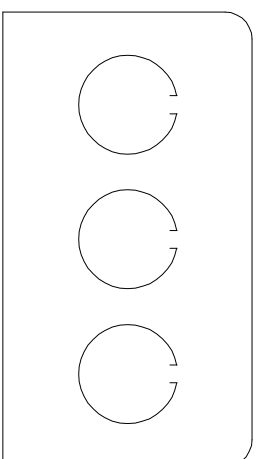
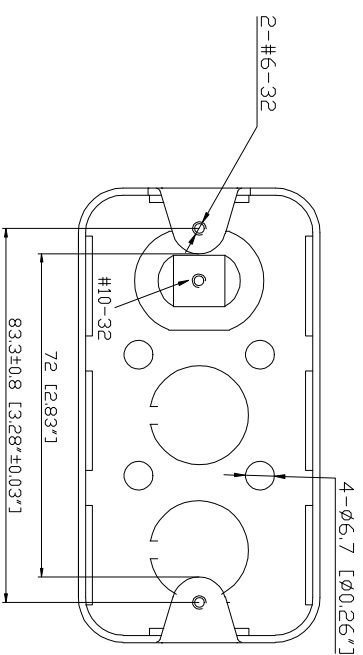
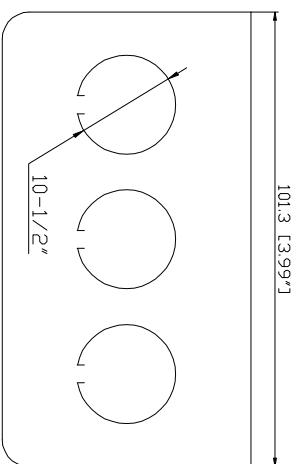
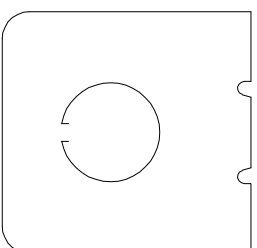
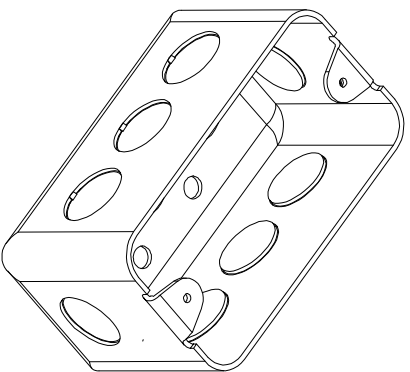


ELECTROLINE

Cat.# E-L 604



4" X 2-1/8" X 2-1/8"
(4" C-1/2")
1.6mm

